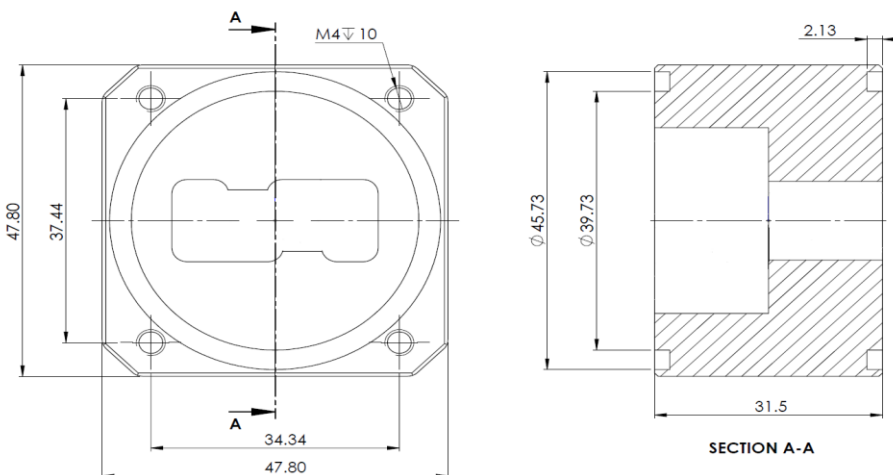
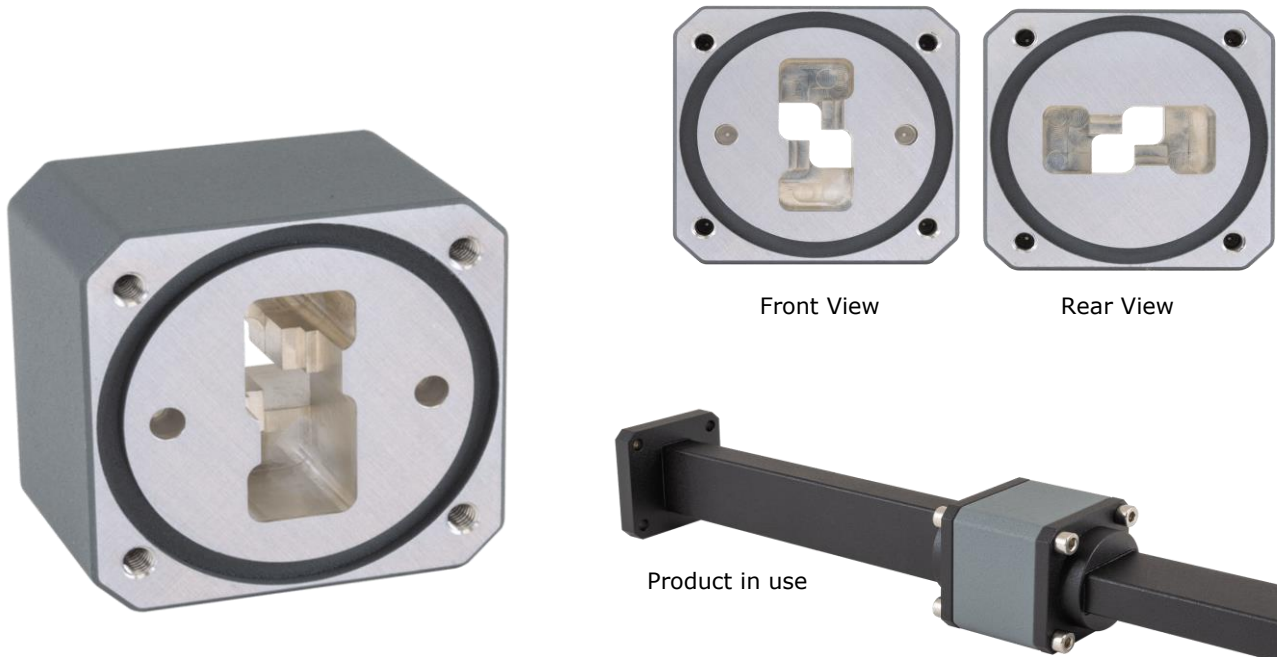


flexiguide

Product Specification



Part Number:

ST15KK-90-P-*

* = see options below

Description / Mechanical Specifications

Product Type:	Waveguide Twist (Super-Twist)
Waveguide Size:	WG15 / WR112 / R84
Flange 1:	15K (PBR84)
Flange 2:	15K (PBR84)
Twist Angle:	90°
Material / Finish:	Aluminium / Passivated
* Paint Finish:	G = Gray (RAL 7012), B = Black, W = White
Accessories:	None

Electrical Specifications

Frequency Range:	7.05 - 10.0 GHz
Insertion Loss:	0.1 dB
Return Loss:	27.3 dB

Environmental Performance

Temperature Range:	-70 to +150°C
ETSI Class:	ETSI EN 300-019-2-4 Class 4.1
I.P. Rating:	IP65 (Weatherproof)